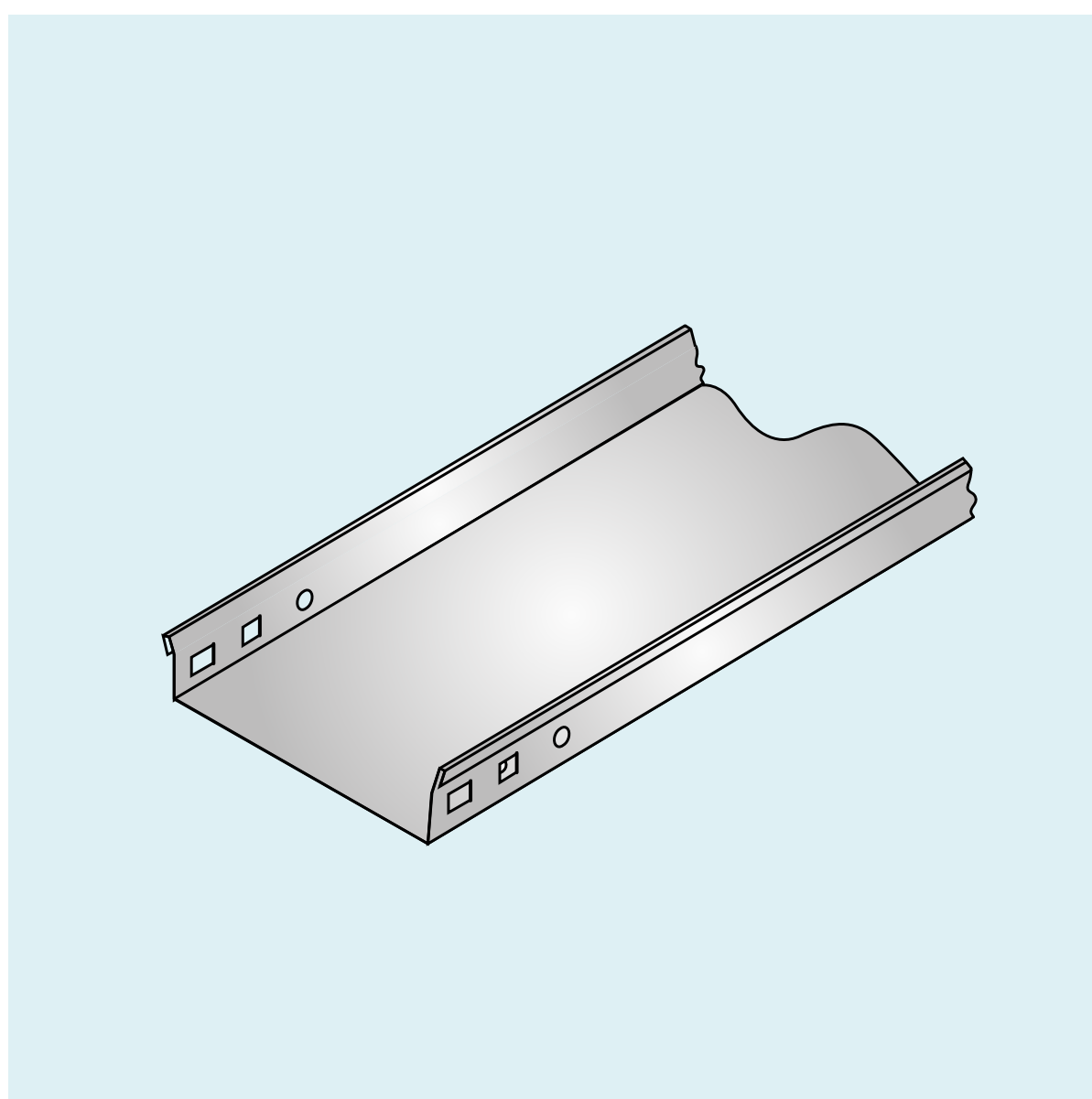


BANDEJAS PERFORADAS

# FONDO SÓLIDO ALA 20 mm.



1,6 mm.	CÓDIGO			
	Espesor de chapa			
	0,7 mm.	0,9 mm.	1,2 mm.	1,6 mm.
50	BS20-07-050	BS20-09-050	BS20-12-050	BS20-16-050
100	BS20-07-100	BS20-09-100	BS20-12-100	BS20-16-100
150	BS20-07-150	BS20-09-150	BS20-12-150	BS20-16-150
200	BS20-07-200	BS20-09-200	BS20-12-200	BS20-16-200
250	BS20-07-250	BS20-09-250	BS20-12-250	BS20-16-250
300	BS20-07-300	BS20-09-300	BS20-12-300	BS20-16-300
450	BS20-07-450	BS20-09-450	BS20-12-450	BS20-16-450
600	BS20-07-600	BS20-09-600	BS20-12-600	BS20-16-600