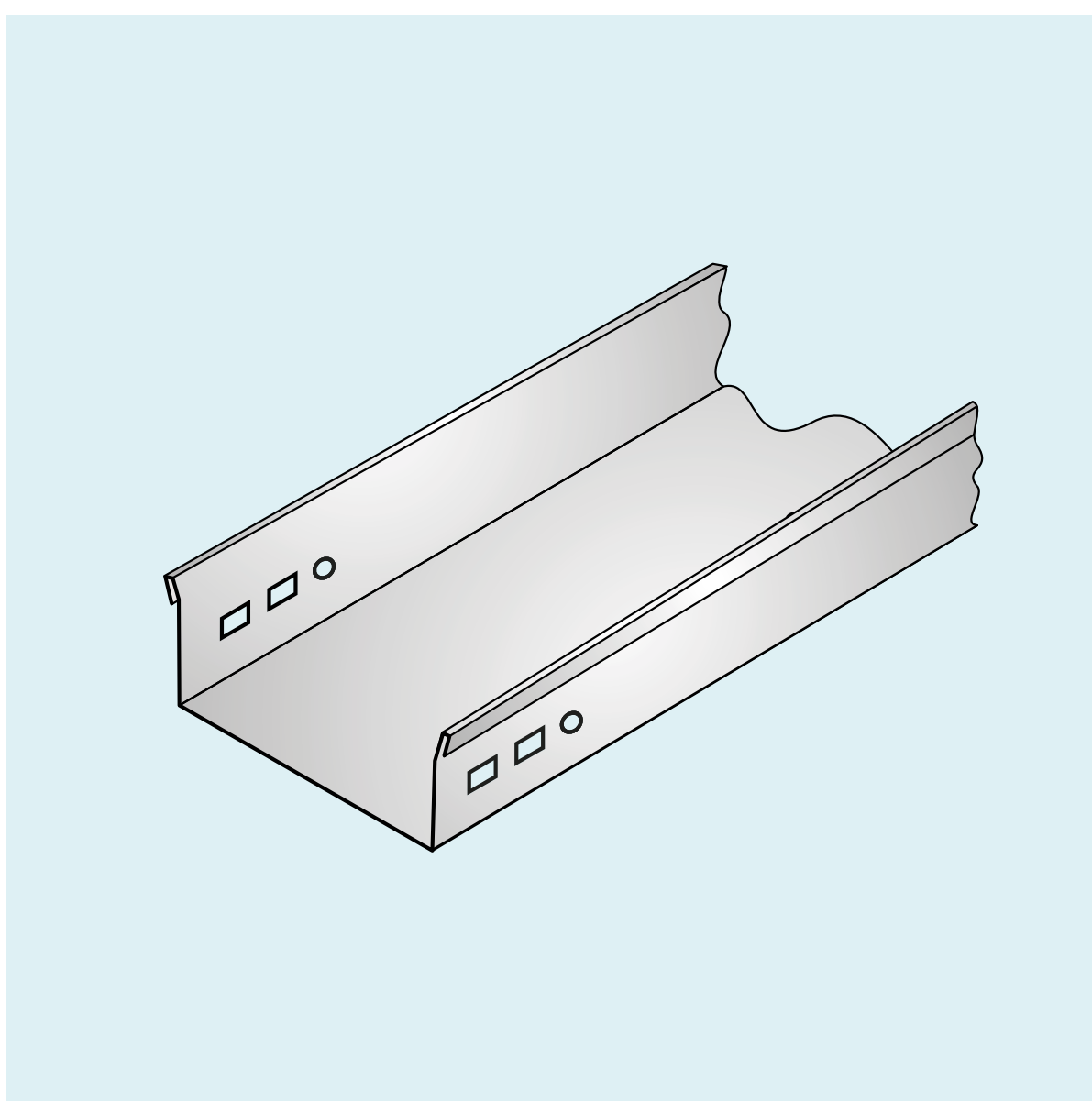


BANDEJAS PERFORADAS

FONDO SÓLIDO
ALA 100 mm.



1,6 mm.	CÓDIGO			
	Espesor de chapa			
	0,7 mm.	0,9 mm.	1,2 mm.	1,6 mm.
50	BS100-07-050	BS100-09-050	BS100-12-050	BS100-16-050
100	BS100-07-100	BS100-09-100	BS100-12-100	BS100-16-100
150	BS100-07-150	BS100-09-150	BS100-12-150	BS100-16-150
200	BS100-07-200	BS100-09-200	BS100-12-200	BS100-16-200
250	BS100-07-250	BS100-09-250	BS100-12-250	BS100-16-250
300	BS100-07-300	BS100-09-300	BS100-12-300	BS100-16-300
450	BS100-07-450	BS100-09-450	BS100-12-450	BS100-16-450
600	BS100-07-600	BS100-09-600	BS100-12-600	BS100-16-600