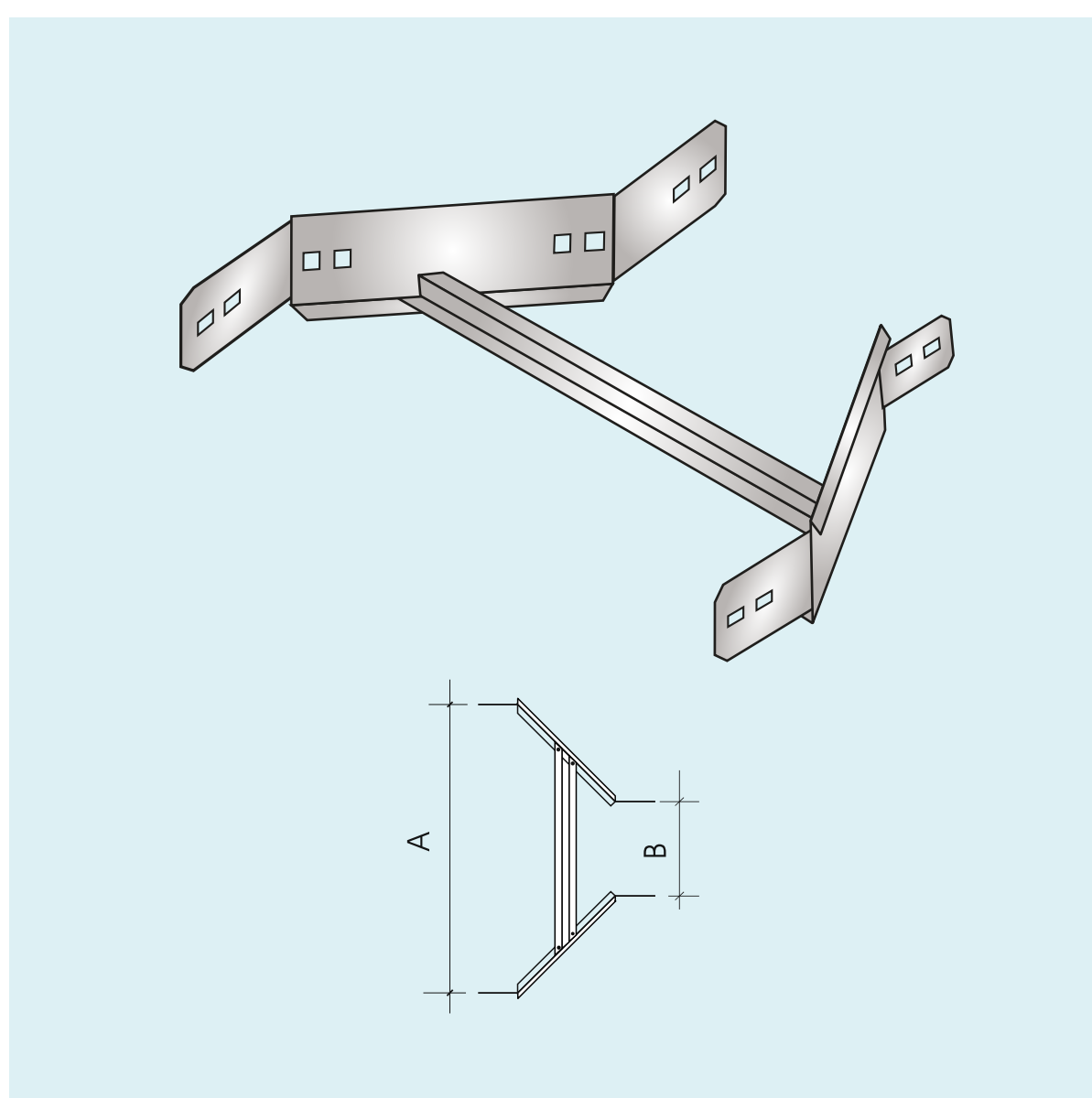


REDUCCIÓN CENTRAL ALAS 64 Y 92 mm.



A - B mm.	CÓDIGO			
	ALA 64 mm.		ALA 92 mm.	
	1,6 mm.	2,0 mm.	1,6 mm.	2,0 mm.
300 - 150	RCE64-16-30a15C	RCE64-20-30a15C	RCE92-16-30a15C	RCE92-20-30a15C
450 - 150	RCE64-16-45a15C	RCE64-20-45a15C	RCE92-16-45a15C	RCE92-20-45a15C
450 - 300	RCE64-16-45a30C	RCE64-20-45a30C	RCE92-16-45a30C	RCE92-20-45a30C
600 - 150	RCE64-16-60a15C	RCE64-20-60a15C	RCE92-16-60a15C	RCE92-20-60a15C
600 - 300	RCE64-16-60a30C	RCE64-20-60a30C	RCE92-16-60a30C	RCE92-20-60a30C
600 - 450	RCE64-16-60a45C	RCE64-20-60a45C	RCE92-16-60a45C	RCE92-20-60a45C